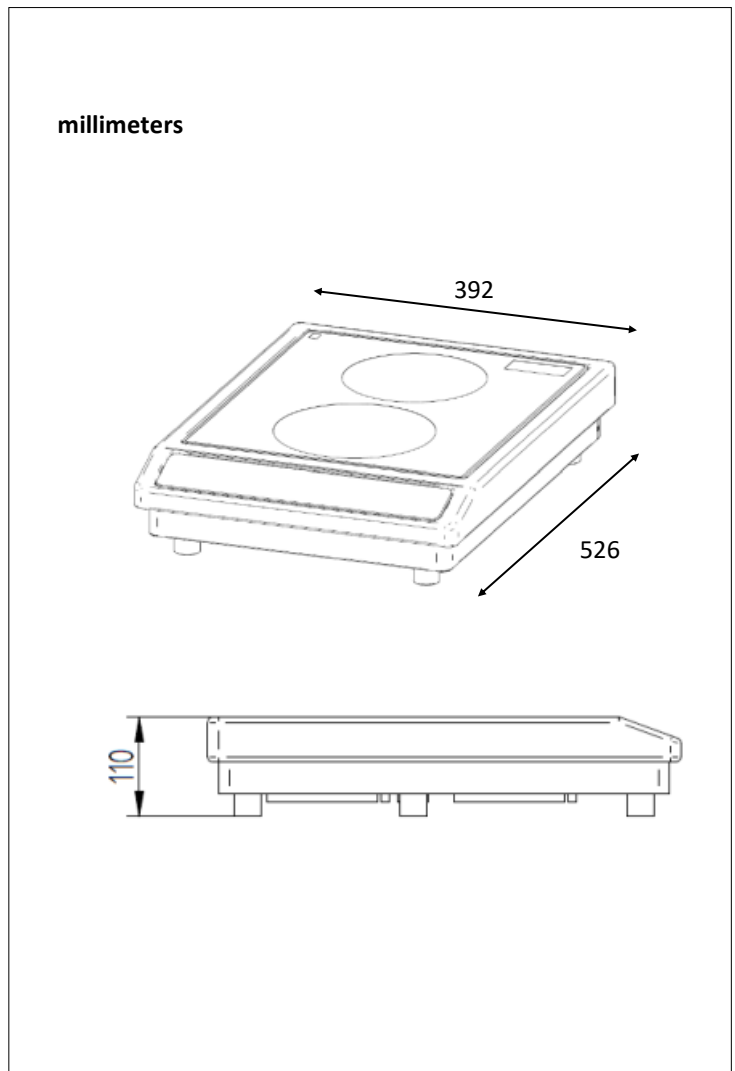


TECHNICAL FEATURES	
External structure	Stainless steel
Dimensions	526 x 392 x 110
Power	3000W
Cooking surface	Vitroc ceramic glass.
Control panel	Glass touch
Amp	13 A
Functions	<p>On/Off, manual temperature setting (+/-) from 30 to 250°C or manual power setting in watts.</p> <p>If both zones are used, the maximum power of each zone is 1500 W.</p> <p>If one zone is off, then the maximum power of the used zone is 3000 W.</p>
Power supply	Single phase 230V +/-10% 50-60Hz
Weight	9,5 kg / 22.1 lbs.
Standards	Complies with European standards for safety of electrical appliances, for EMC and for Rohs.
Details & Options	Including a power cord and a washable filter (wash regularly).



non-contractual image



ADVENTYS
Route de Pagny - 21250 Seurre - France
www.adventys.com
sales@adventys.com
T: +33 3 80 20 46 15

Important note

Adventys reserves the right to modify specifications without notice.

